



# ABOVEGROUND/ UNDERGROUND (AG/UG) DOMESTIC TANKS

**Standard WG offering:**

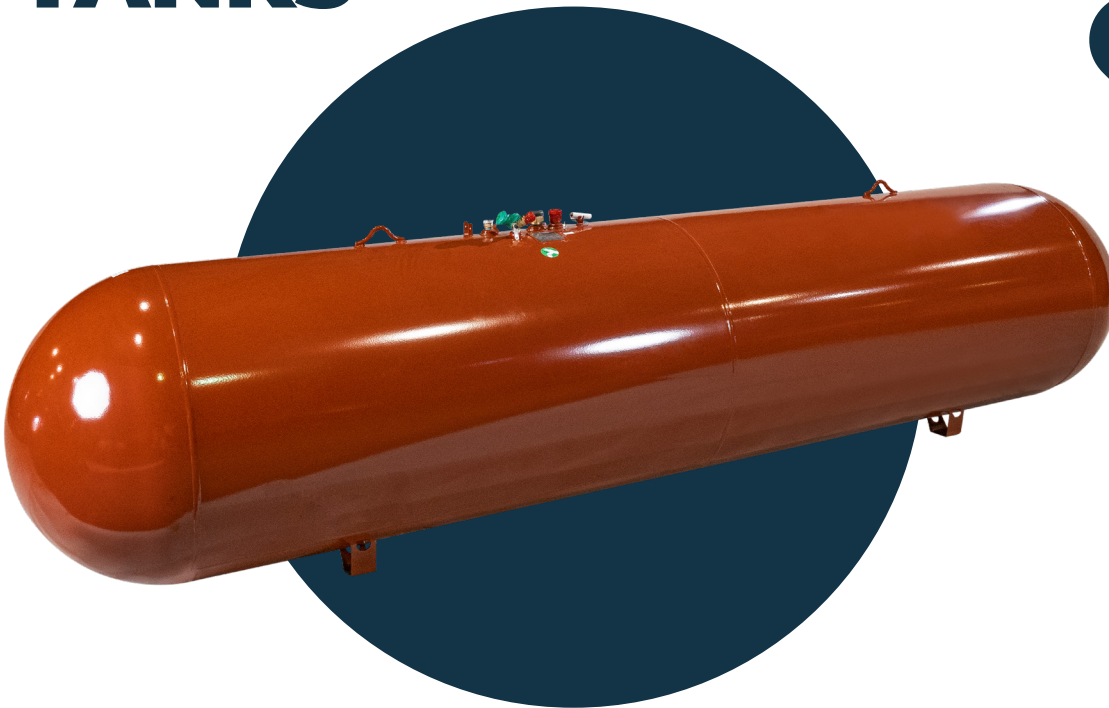
120 - 2000 WG

**Standard color:**

Redox underground  
(tank must be buried)

**Custom color:**

White aboveground use only



## GENERAL SPECIFICATIONS

Designed and built to ASME Section VIII, Division 1  
Complies with NFPA 58 & registered with national board  
Rated at 250 PSI from -20° to 125°F  
Vacuum purged - Ready to fill  
Choice of Rego or Cavagna valves  
Rochester liquid level gauges standard with steel gears  
Superior powder coated finish  
Underground black plastic shroud and lid included with purchase (standard)  
Aboveground white steel galvanized dome (custom)  
Boom crane delivery standard

### \*NOTES

Vessel finished with white powder paint must be installed aboveground only  
The vessel finished with red powder must be buried with proper cathodic protection (sold separately) and coating must be continuous/uninterrupted and must comply with federal, state, and local code

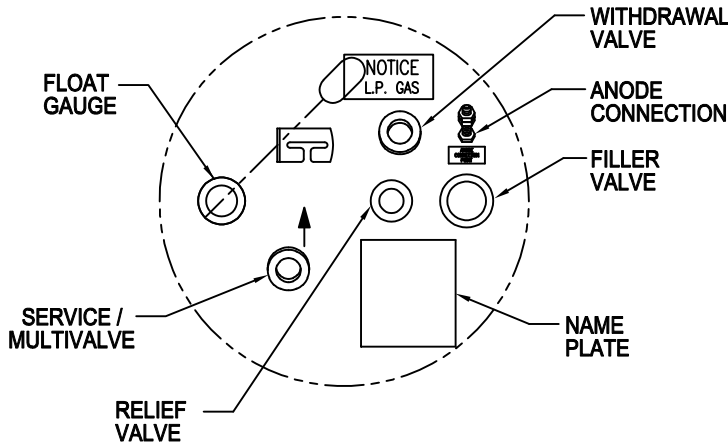
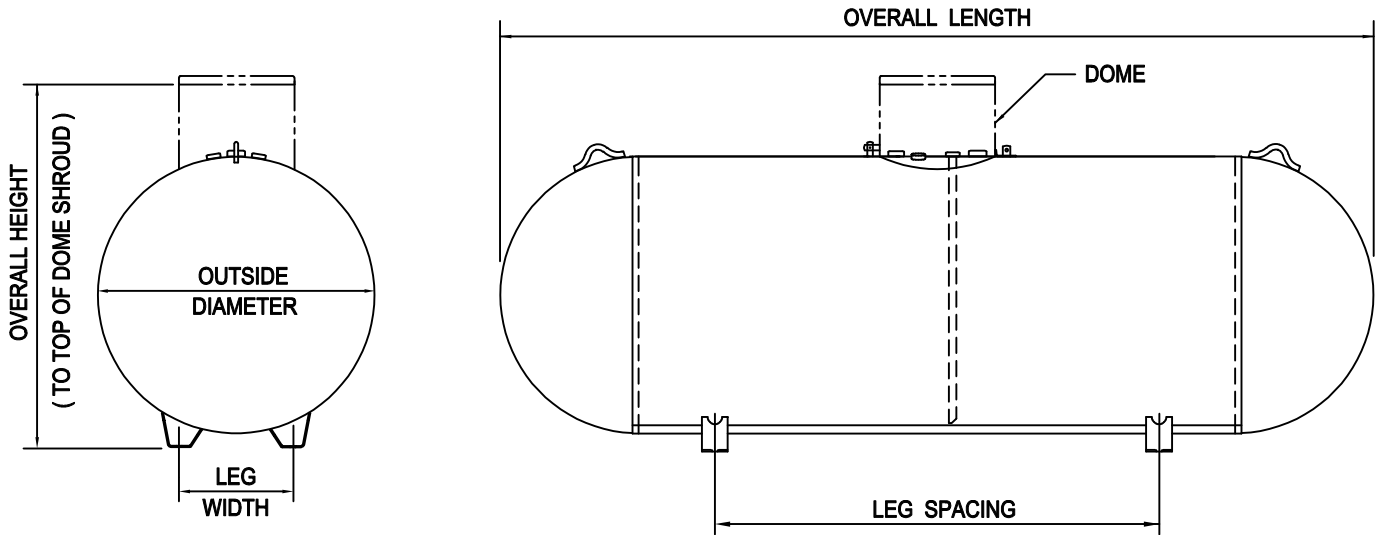


2999 Olympus Blvd  
Suite 450  
Dallas, TX 75019

888 558 8225  
[customerservice@triarccorp.com](mailto:customerservice@triarccorp.com)

# Aboveground / Underground (AG/UG) Domestic Tanks

120 - 2,000 WG



**FITTINGS LAYOUT UNDER DOME**

\*Applicable federal, state, or local regulations may contain specific requirements for projective coatings and cathodic protection. The purchaser and installer are responsible for compliance with all federal state, local and NFPA industry regulations. Cathodic protection is required and coating must be continuous and uninterrupted and must comply with local, state or national code.

## AG / UG VESSEL DIMENSIONAL INFORMATION

Water Capacity	Outside Diameter	Head Type	Overall Length	Overall Height	Leg Width	Leg Spacing	Weight	Quantity	
								Full Load	Per stack
*120 wg.	24"	Ellip	5' - 5 13/16"	3' - 3 1/16"	10 1/8"	3' - 0"	245 lbs.	84	12
*250 wg.	31.5"	Hemi	7' - 2 1/2"	3' - 7 11/16"	12 3/4"	3' - 6"	472 lbs.	54	9
*320 wg.	31.5"	Hemi	8' - 11 3/4"	3' - 7 11/16"	12 3/4"	4' - 0 1/4"	588 lbs.	36	9
500 wg.	37.42"	Hemi	9' - 10"	4' - 1 5/8"	15"	5' - 0"	871 lbs.	30	6
1000 wg.	40.96"	Hemi	15' - 10 13/16"	4' 5 3/16"	16 1/4"	9' - 0"	1729 lbs.	15	5

All vessels dimensions are approximate.