

Aboveground Domestic Tanks

120 - 2,000 wg



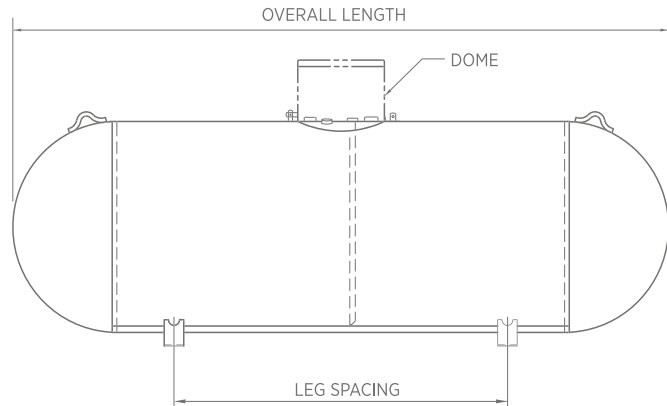
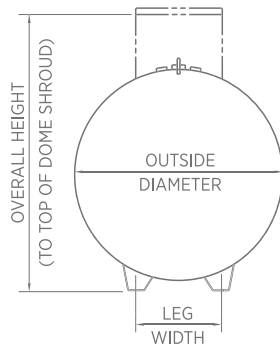
Finished with **ArcClad™**
Superior Aboveground Coating

Tank features:

- Superior Coating
- Steel galvanized domes in select colors
- Vacuum Purged
- #72 liquid level outage valve orifice
- Fabricated to A.S.M.E. code, Section VIII, Division 1
Division 2 design available
Registered with the National Board
Registered with CRN (Canadian Registration Number)

Aboveground Domestic Tanks

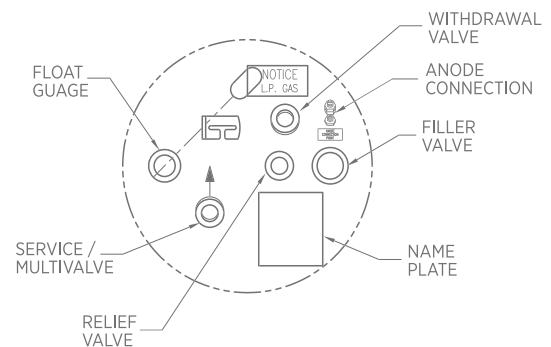
120 - 2,000 wg



GENERAL SPECIFICATIONS

Conforms to the latest edition of the ASME code for Pressure Vessels, Section VIII, Division 1. Complies with NFPA 58.

Rated at 250 psig from -20° F. to 125o F. All tanks may be evacuated to a full (14.7 psi) vacuum. Vessel Finish: Coated with TGIC powder. Liquid withdrawal opening located under the dome on the 120 wg vessels ONLY.



ABOVEGROUND VESSEL DIMENSIONAL INFORMATION

Water Capacity	Outside Diameter	Head Type	Overall Length	Overall Height	Leg Width	Leg Spacing	Weight	Quality	
								Full Load	Per Stack
*120 wg. 454.2L	24" 609.6 mm	Ellip	5' - 5 13/16" 1,671.6 mm	2' - 8 1/4" 819.2 mm	10 1/8" 257.2 mm	3' - 0" 914.4 mm	245 lbs. 111.1 kg.	96	12
*250 wg. 946.3 L	31.5" 800.1 mm	Hemi	7' - 2 1/2" 2,197.1 mm	3' - 3 3/4" 1,009.7 mm	12 3/4" 323.9 mm	3' - 6" 1,066.8 mm	472 lbs. 214.1 kg.	63	9
*320 wg. 1,211.2 L	31.5" 800.1 mm	Hemi	8' - 11 3/4" 2,736.9 mm	3' - 3 3/4" 1,009.7 mm	12 3/4" 323.9 mm	4' - 0 1/4" 1,225.6 mm	588 lbs. 266.7 kg.	45	9
500 wg. 1,892.5 L	37.42" 950.5 mm	Hemi	9' - 10" 2,997.2 mm	3' - 9 11/16" 1,160.5 mm	15" 381.0 mm	5' - 0" 1,524.0 mm	871 lbs. 395.1 kg	30	6
1000 wg. 3,785.0 L	40.96" 1,040.4 mm	Hemi	15' - 10 13/16" 4,846.6 mm	4' - 1 3/8" 1,254.1 mm	16 1/4" 412.8 mm	9' - 0" 2,743.2 mm	1729 lbs 784.3 kg.	15	5
1465 wg. 5,545.0 L	46.77" 1,188 mm	Ellip	17' - 6 7/8" 5,356.2 mm	4' - 4 3/4" 1,339.9 mm	21" 533.4 mm	10' - 0" 3,084 mm	2745 kbs, 1,245 kg.	12	4
2000 wg. 7,570.0 L	46.77" 1,188 mm	Ellip	23' - 9" 7,239 mm	4' - 7" 1,709.7 mm	21" 533.4 mm	14' - 0" 4,267.2 mm	3676 lbs. 1,667.5 kg.	6	4

All vessels dimensions are approximate. *Drain plug not available.

Eng. Update: April 5, 2016

For more information
888 558 8225

