

Underground Domestic Tank

120-2,000 wg



Tank Features:

- Standard 1-1/2" liquid withdrawal valve(s)
- Standard stainless steel float gauge
- All tanks equipped with heavy-duty base legs
- 41", 46" diameter tanks coated with ArcClad (primer, topcoat)
- 60", and 72" diameter tanks coated with Acrylic Polyurethane
- Conforms to ASME code, Section VIII, Div 1
- Complies with CGA G-2.1
- Registered with the National Board

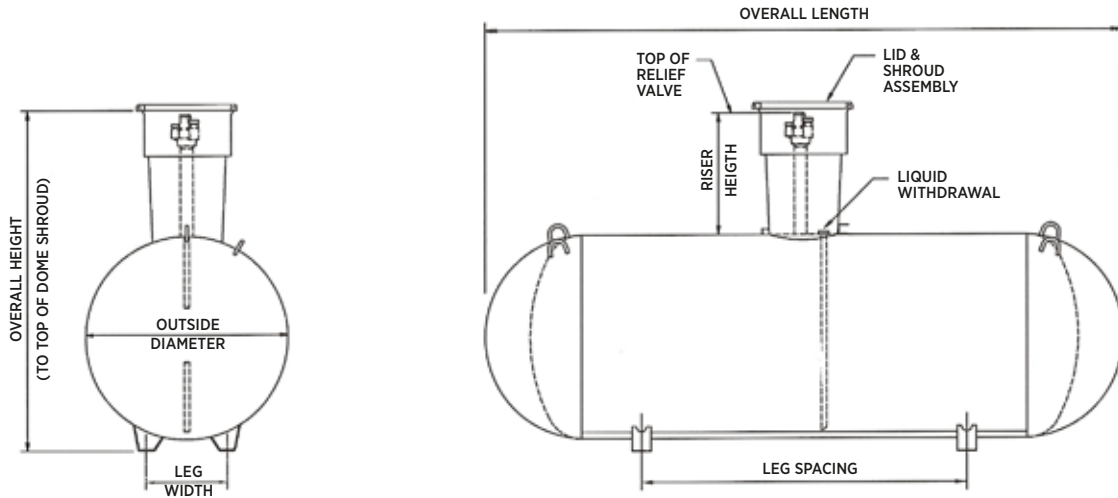
Fabricated to A.S.M.E. code, Section VIII, Division 1
Registered with the National Board
Registered with CRN (Canadian Registration Number)

For more information
888 558 8225



Underground Domestic Tank

120-2,000 wg



GENERAL SPECIFICATIONS

Conforms to the latest edition of the ASME, Section VIII, Division 1. Complies with NFPA 58.

Container pressure rated at 250 psig from -20° F. to 125° F. All tanks may be evacuated to a full (14.7 psi) vacuum.

Vessel Finish: Coated with TGIC red powder.

Applicable federal, state, or local regulations may contain specific requirements for protective coatings and cathodic protection. The purchaser and installer are responsible for compliance with all federal, state, local and NFPA Industry regulations. Cathodic protection is required and coating must be continuous and uninterrupted and must comply with local, state or national code.

UNDERGROUND VESSEL DIMENSIONAL INFORMATION

Water Capacity	Outside Diameter	Head Type	Overall Length	Overall Height		Leg Width	Leg Spacing	Weight	Quality	
				Riser Height 14"	Riser Height 28"				Full Load	Per Stack
120 wg. 454.2L	24" 609.6 mm	Ellip	5' - 5 7/8" 1,673.2 mm	3' - 4 5/8" 1,031.9 mm	4' - 6 3/4" 1,390.7 mm	10 1/8" 257.2 mm	3' - 0" 914.4 mm	268 lbs. 121.6 kg.	72	9
250 wg. 946.3 L	31.5" 800.1 mm	Hemi	7' - 2 1/2" 2,197.1 mm	4' - 0 5/8" 1,235.1 mm	5' - 2 1/16" 1,576.4 mm	12 3/4" 323.9 mm	3' - 6" 1,066.8 mm	490 lbs. 222.3 kg.	42	7
320 wg. 1,211.2 L	31.5" 800.1 mm	Hemi	8' - 11 3/4" 2,736.9 mm	4' - 0 5/8" 1,235.1 mm	5' - 2 1/16" 1,576.4 mm	12 3/4" 323.9 mm	4' - 0 1/4" 1,225.6 mm	610 lbs. 276.7 kg.	35	7
500 wg. 1,892.5 L	37.42" 950.5 mm	Hemi	9' - 10" 2,997.2 mm	4' - 6 1/2" 1,384.3 mm	5' - 8 1/8" 1,730.4 mm	15" 381.0 mm	5' - 0" 1,524.0 mm	921 lbs. 417.7 kg.	25	5
1000 wg. 3,785.0 L	40.96" 1,040.4 mm	Hemi	15' - 10 7/8" 4,848.2 mm	4' - 9 1/2" 1,460.5 mm	6' - 0" 1,828.8 mm	16 1/4" 412.8 mm	9' - 0" 2,743.2 mm	1,760 lbs. 798.3 kg.	15	5
1465 wg. 5,545.0 L	46.77" 1,188 mm	Ellip	17' - 6 7/8" 5,356.2 mm	5' - 3 7/8" 1,722.4 mm	6' - 5" 1,955.3 mm	21" 533.4 mm	10' - 0" 3,084 mm	2,830 lbs. 1,283.7 kg.	9	3
2000 wg. 7,570.0 L	46.77" 1,188 mm	Ellip	23' - 9" 7,239 mm	5' - 3 7/8" 1,722.4 mm	6' - 5" 1,955.3 mm	21" 533.4 mm	14' - 0" 4,267.2 mm	3,685 lbs. 1,671.5 kg.	6	3

All vessels dimensions are approximate.

Rev: March 30, 2022

For more information
888 558 8225

